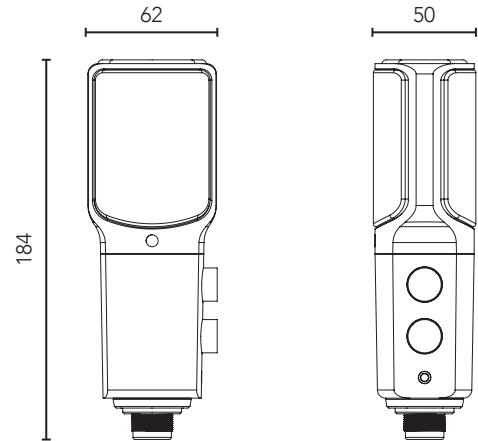


NT-USB

Versatile Studio-Quality USB Microphone

AUSTRALIA
107 Carnarvon st, Silverwater NSW 2128 Australia
Ph: +61 2 9648 5855 Fx: +61 2 9648 2455

USA
PO Box 91028, Long Beach CA 90809-1028
Ph: +1 562 364 7400 Fax: +1 888 412 4664



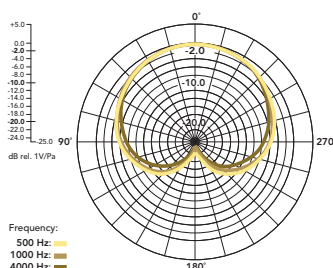
Features

- Pop shield, Tripod desk stand, ring mount, storage pouch and 6m (20') USB cable included.
- 3.5mm stereo headphone jack for zero-latency monitoring
- Direct mix control between mic input and source output
- Compatible with Apple iPad
- Cardioid polar pattern
- Compatible with the SMR shockmount & WS2 foam windshield
- Free two year extended warranty*

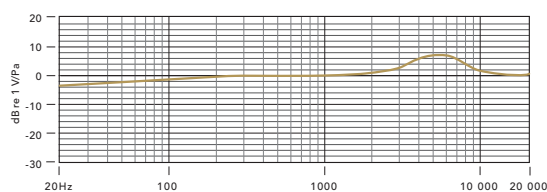
Specifications

Acoustic Principle	Pressure Gradient
Active Electronics	JFET impedance converter with bipolar output buffer, A/D converter 16bit 48kHz, headphone amplifier
Directional Pattern	Cardioid
Frequency Range	20Hz ~ 20kHz
Dynamic Range	96dB
Maximum SPL	110 dB SPL
Power Requirements	USB 5v DC
Output Connection	USB
Net Weight	520g

Polar Pattern



Frequency Response



Notes

*Microphone must be registered at www.rodemic.com to activate extended warranty.

RØDE
MICROPHONES