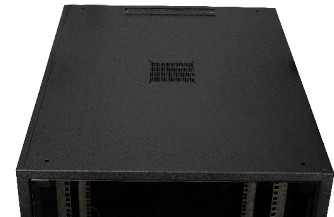
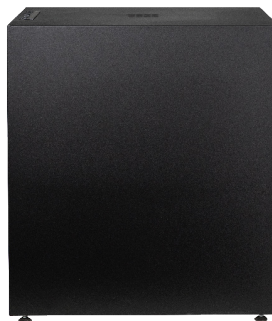


DATASHEET

19" Cabinet OFFICE

OFF-1566xx.V1RW... OFF-1568xx.V1RW



Network cabinet OFFICE 600 x 600 mm

Common Specifications

- 19" network cabinet according to DIN41494
- Steel sheet housing, self-supporting, completely pre-assembled, self-ventilated
- Inside front and rear 4 x 19" profiles (2 front, 2 rear-sided), galvanised, step-less depth-adjustable
- Front door full glass, 1-part (thickness 4 mm)
- Front door with 1-point latch-locking
- Door stop possible left or right-sided
- Bottom and rear with pre-punched openings for cable entry
- Roof and bottom prepared for accommodation of 1 x fan unit (Art.-No. 691664)
- Internal earthing of all cabinet sections
- Paint finish RAL7035, light grey / RAL9005, jet black
- Protection degree IP20
- Included in delivery: 1 x brush, 4 x leveling feet M8, 2 x key
- Delivery in transport packaging on disposable pallet

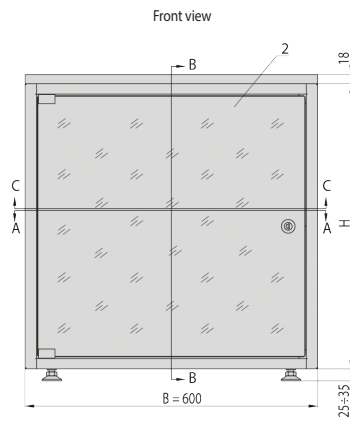
Art.-No.	U	Height in mm	Width in mm	Depth in mm	RAL	Max. distance of the 19" levels
OFF-1266GR.V1RW	12	604	600	600	7035	560
OFF-1266TS.V1RW	12	604	600	600	9005	560
OFF-1566GR.V1RW	15	737	600	600	7035	560
OFF-1566TS.V1RW	15	737	600	600	9005	560
OFF-1568GR.V1RW	15	737	600	800	7035	560
OFF-1568TS.V1RW	15	737	600	800	9005	560
OFF-1866GR.V1RW	18	871	600	600	7035	760
OFF-1866TS.V1RW	18	871	600	600	9005	760
OFF-1868GR.V1RW	18	871	600	800	7035	760
OFF-1868TS.V1RW	18	871	600	800	9005	760

Art.Nr.	OFF-1566xx.V1RW... OFF-1568xx.V1RW	Datei	OFF-1566xx.V1RW... OFF-1568xx.V1RW.indd		
Beschreibung	19" Netzwerkschränke OFFICE				
Erstellt	Datum	Letzte Revision	Datum	Geprüft	Datum
FD	03.14.2019	FD	03.14.2019	FD	03.14.2019

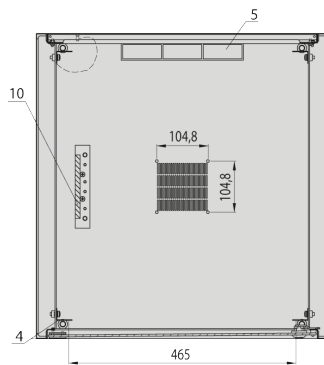
DATASHEET

19" Cabinet OFFICE

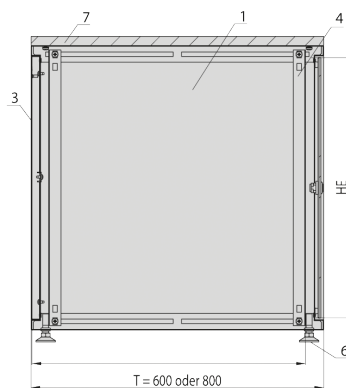
OFF-1566xx.V1RW... OFF-1568xx.V1RW



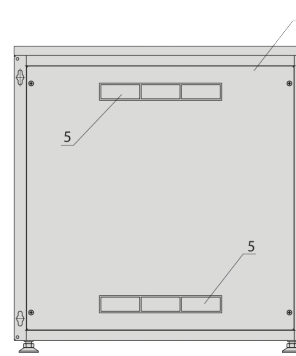
Bottom



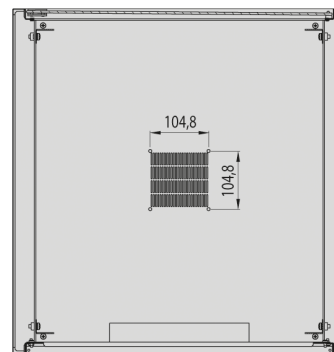
Worktop



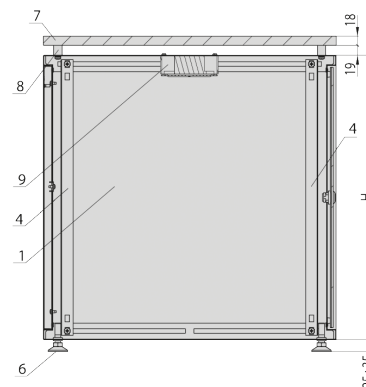
Rear view



Plan view



Increased worktop



Component parts

1. Housing
2. Full glass door
3. Real wall
4. 19" profile
5. Cable entry with dummy plate
6. Levelling feet
- Accessories:
7. Worktop
8. Distance bolt
9. Pre-punched openings for fan
10. Prepared for earthing

Art.Nr.	OFF-1566xx.V1RW... OFF-1568xx.V1RW	Datei	OFF-1566xx.V1RW... OFF-1568xx.V1RW.indd		
Beschreibung	19" Netzwerkschränke OFFICE				
Erstellt	Datum	Letzte Revision	Datum	Geprüft	Datum
FD	03.14.2019	FD	03.14.2019	FD	03.14.2019

DATASHEET

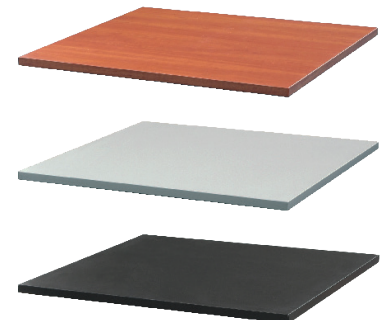
Ordering Data

Art.-No.	U	Height in mm	Width in mm	Depth in mm	Color
OFF-1266GR.V1RW	12	604	600	600	grau
OFF-1266TS.V1RW	12	604	600	600	schwarz
OFF-1566GR.V1RW	15	737	600	600	grau
OFF-1566TS.V1RW	15	737	600	600	schwarz
OFF-1568GR.V1RW	15	737	600	800	grau
OFF-1568TS.V1RW	15	737	600	800	schwarz
OFF-1866GR.V1RW	18	871	600	600	grau
OFF-1866TS.V1RW	18	871	600	600	schwarz
OFF-1868GR.V1RW	18	871	600	800	grau
OFF-1868TS.V1RW	18	871	600	800	schwarz

Accessories

Worktop

Attractive worktop for mounting on the cabinet roof. Material MDF, laminated, thickness 18 mm. Paint finish calvados / grey / black. Delivery incl. mounting accessories



Worktop for OFFICE

Art.-No.	Width in mm	Height in mm	Depth in mm
OFF-ARB66.CV	600	19	600
OFF-ARB68.CV	600	19	800
OFF-ARB66.GR	600	19	600
OFF-ARB68.GR	600	19	800
OFF-ARB66.TS	600	19	600
OFF-ARB68.TS	600	19	800

Set for Raising the Worktop

For raising the worktop to 19 mm above the roof. Necessary for mounting of fans if worktop is used. Optimisation of cabinet ventilation. Included in delivery: 4 x distance sleeve, 4 x screw M6 x 30, 4 x washer



Set for Raising the Worktop

Art.-No.	Height in mm
OFF-ARB01	19

Rollenset für Schrankserie OFFICE

Plastic castors with steel thread bolt M8. Height 68 mm (without thread bolt). Included in delivery: 2 x castor with brake, 2 x castor without brake



Castor Set for Cabinet Series OFFICE

Art.-No.	Height in mm
OFF-ROL01	68

Art.Nr.	OFF-1566xx.V1RW... OFF-1568xx.V1RW	Datei	OFF-1566xx.V1RW... OFF-1568xx.V1RW.indd		
Beschreibung	19" Netzwerkschränke OFFICE				
Erstellt	Datum	Letzte Revision	Datum	Geprüft	Datum
FD	03.14.2019	FD	03.14.2019	FD	03.14.2019