



evolution wired e 902



The cardioid e 902 is a dynamic instrument microphone especially designed for deep bass frequency instruments such as kick drums, bass guitar amps and tuba. Faithfully reproducing the lowest frequencies and handling the highest SPLs, the e 902 is your bottom end's best friend.

SPECIFICATIONS

Transducer principle	dynamic
Frequency response	20 - 18,000 Hz
Pick-up pattern	cardioid
Sensitivity (free field)	0.6 mV/Pa (at 60 Hz) 0.2 mV/Pa (at 1 kHz)
Nominal impedance (at 1 kHz)	350 Ω
Min. terminating impedance	1 k Ω
Connector	XLR-3
Dimensions	\varnothing 60 x 128.5 mm
Weight	440 g

FEATURES

- Frequency response optimized for kick drum
- Very fast attack
- Exceptionally clean and clear pick-up of the deepest bass signals
- Integral stand mount
- Hum compensating coil
- Shock mounted capsule
- Robust metal body

DELIVERY INCLUDES

- e 902
- pouch
- quick guide
- safety guide

ARCHITECT'S SPECIFICATION

The microphone shall be a dynamic cardioid designed for use with bass instruments. It shall have a rugged metal body with an integral stand mount and a shock-mounted capsule. The microphone shall be fitted with a hum compensating coil.

The frequency response shall be 40 Hz – 16,000 Hz and the sensitivity (free field, no load) shall be 0.2 mV/Pa at 1 kHz and 0.6 mV/Pa at 60 Hz. Nominal impedance shall be 350 Ω , with a min. terminating impedance of 1 k Ω .

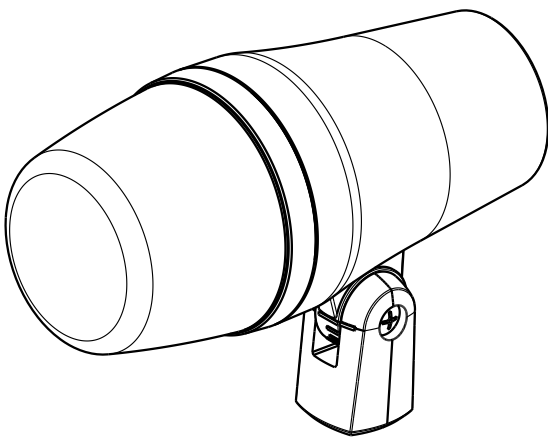
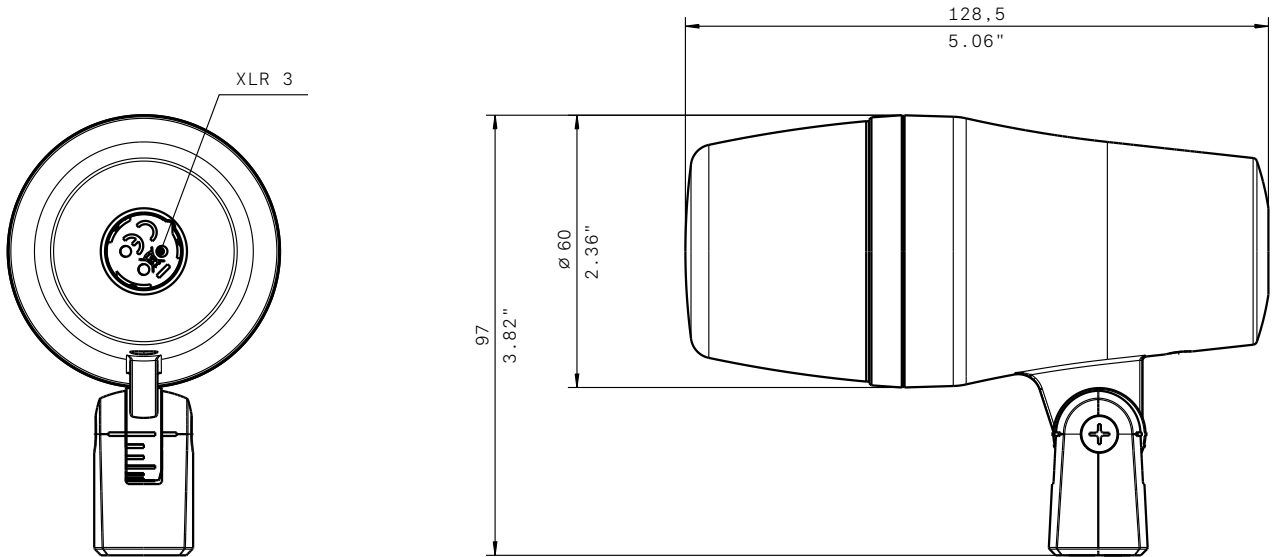
The microphone shall provide a 3-pin XLR connector. Dimensions shall be 60 x 128.5 mm (2.36" x 5.06"). Weight shall be 440 grams (15.52 oz).

The microphone shall be the Sennheiser e 902.

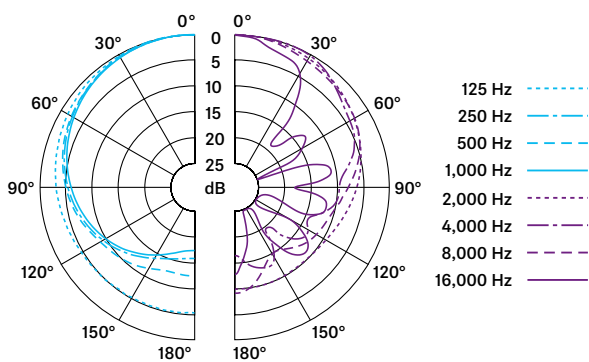


evolution wired e 902

DIMENSIONS



POLAR PATTERN



FREQUENCY RESPONSE

