



Under Desk CPU Holder

No.: 40284

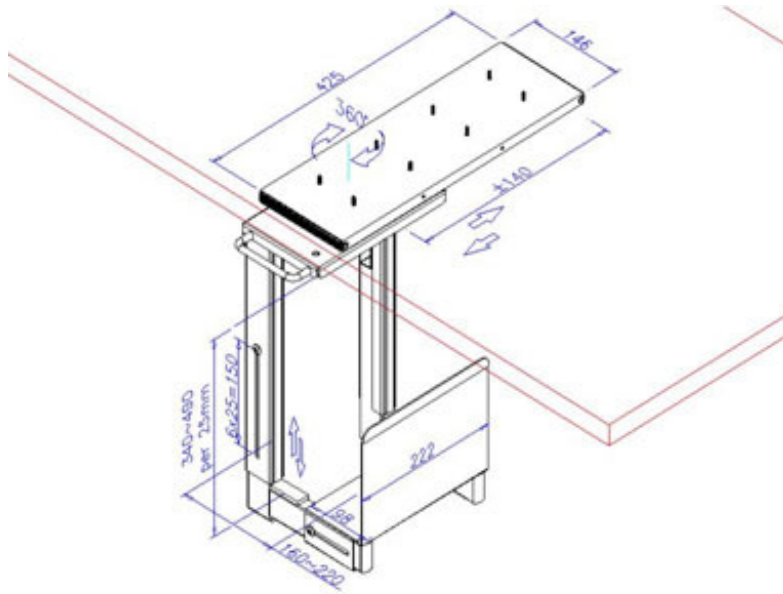
Sliding Version

Description

- Simply attach to the underside of your desk or workbench
- With 360° swivelling action and can be pulled from under the desk up to 140mm
- Holds a maximum weight of 30kgs
- Suitable for any work surface with a thickness of 15mm and above
- Suitable for computers measuring: (WxDxH) 160-220 x 450 x 340-490mm approx
- Material: Rust proof, powder coated steel
- Includes foam pads to protect your machine and all fixing screws
- Color: Black

Technical details

This Under Desk PC Holder allows you to easily attach a desktop computer to the underside of your desk or workbench to free up valuable work space. Ideal for business, educational and industrial use they also mean computers can be stored in a tidy, safe and secure manner instead of being simply left on the floor. Its sliding and swivelling mechanism means your PC can simply slide out from under the desk for easy access.



Package Contents:

- 3 piece bracket
- 1 large foam pad
- 1 small foam pad
- 2 small foam strips
- 4 large black screws
- 8 large silver screws
- 2 small black screws
- Handle with 2 screws
- Plastic end piece
- Sliding plate
- Instruction leaflet